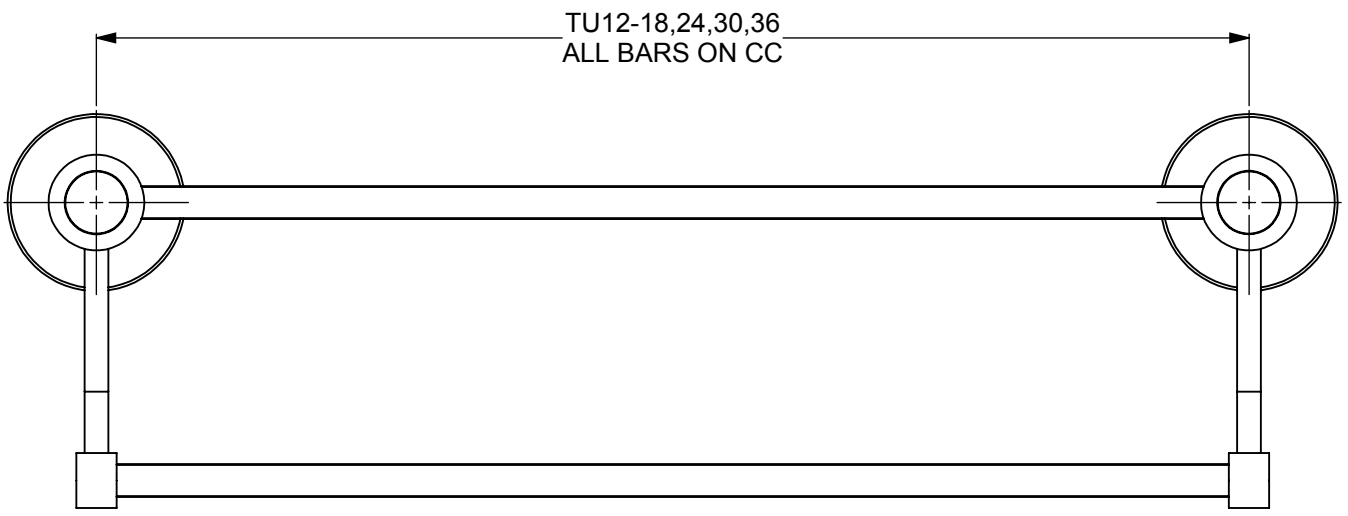
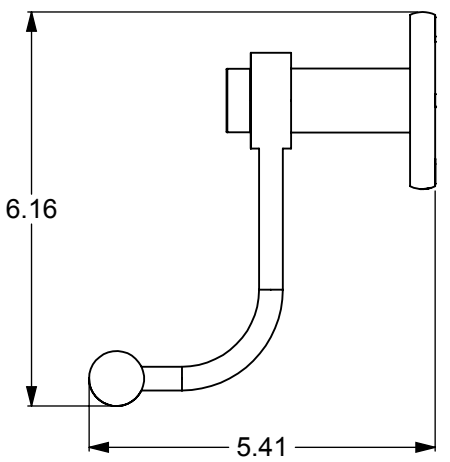
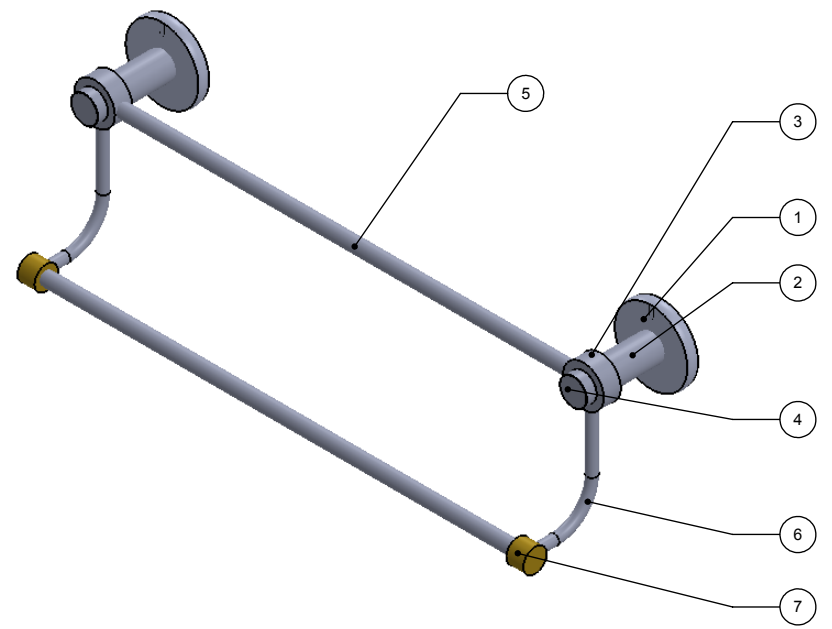


1	BPRD	BASE	2
2	TU1-2	TUBE	2
3	RGSMZ	CONNECTOR	2
4	Card-1	END LOCK	2
5	TU1-18,24,30,36	TUBE	2
6	HKTT	TUBE PIPE	2
7	HBBTT-78	HUB	2



NOTE:
1. UNIT IS IN INCHES

UNLESS OTHERWISE STATED

.X	±.3mm
.XX	±.15mm
.XXX	±.008mm

COPYRIGHT © Allied Brass 2016



DRAWN	2/23/2016	I.M
CHECKED	2/23/2016	P.D
APPROVED	2/23/2016	R.A

MATERIAL:	BRASS
DESCRIPTION:	TOWEL BAR



FINISH	TBD
QUANTITY	TBD
DRAWING No.	9072
SCALE	1:3
SHEET: 01	A4